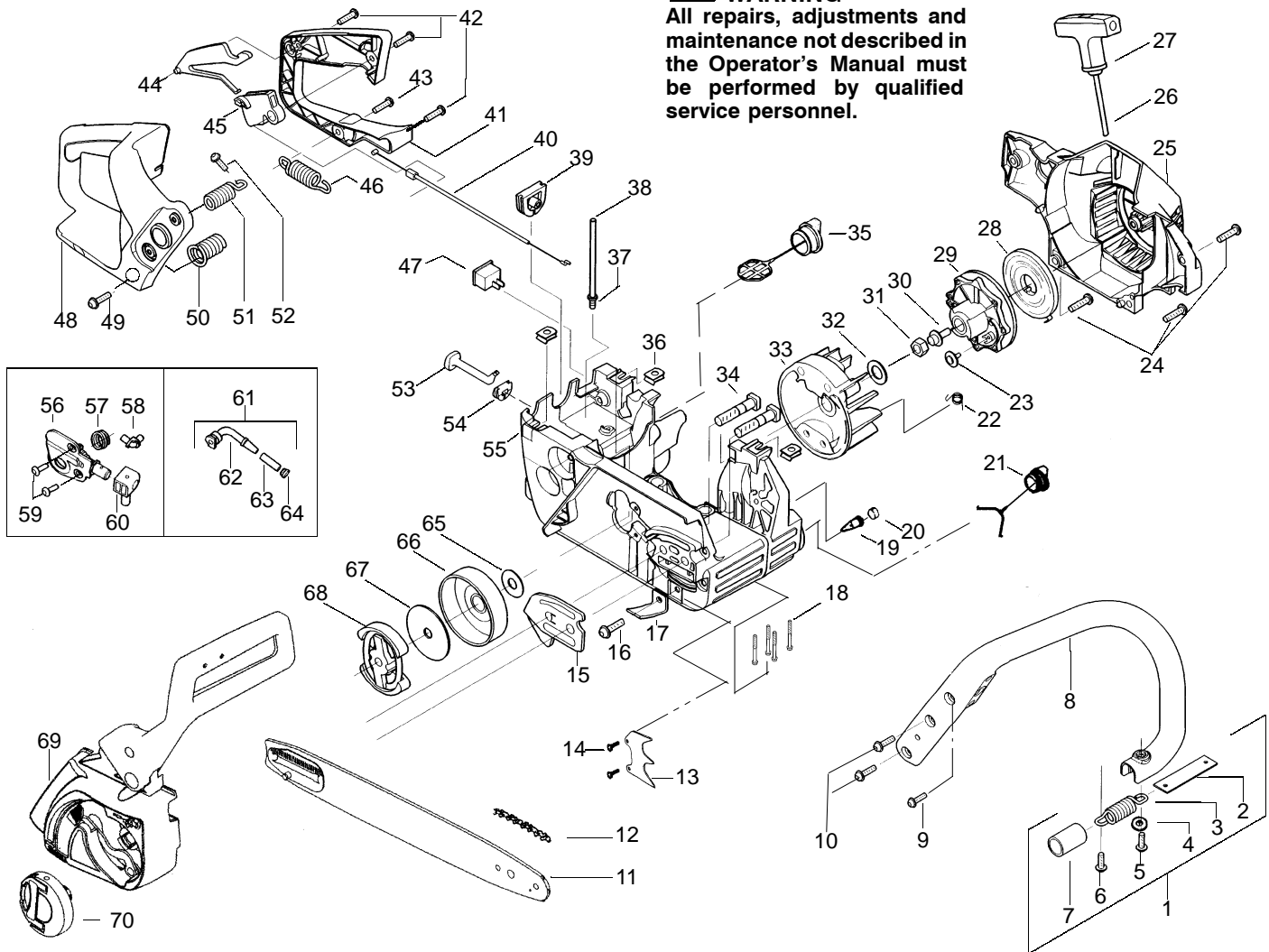


| | | | |
|------------------------------------|---------------------------------|-----------------------------|--|
| PARTS LIST NO. 530163178 | | PARTNER ® PARTS LIST | CHAIN SAW MODEL(S) 391 |
| DATE 11/26/02 | Replaces 530163178 - 6/27/02 | | Note: Illustration may differ from actual model due to design changes |

⚠ WARNING
All repairs, adjustments and maintenance not described in the Operator's Manual must be performed by qualified service personnel.

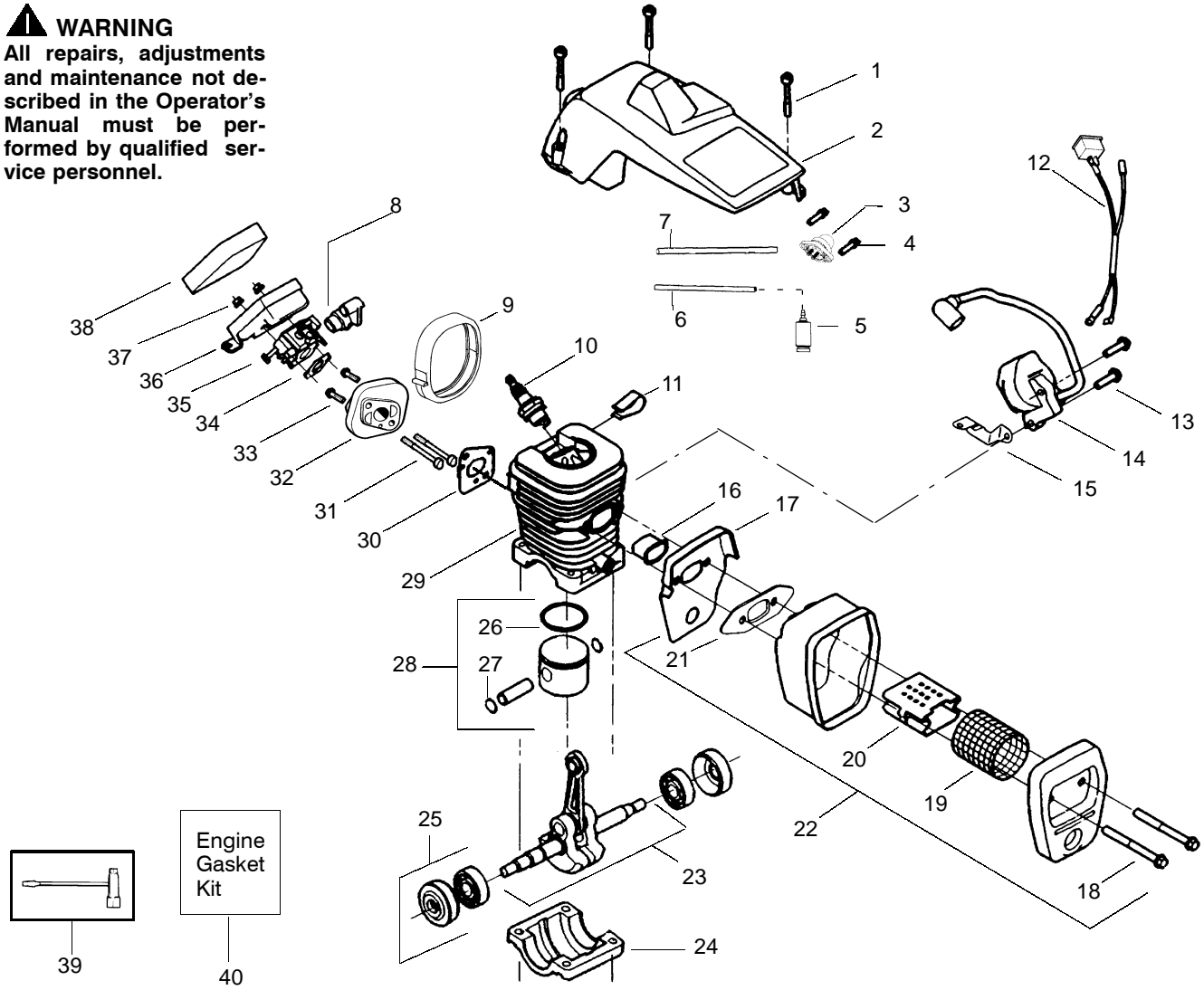


| Ref. | Part No. | Description | Ref. | Part No. | Description | Ref. | Part No. | Description |
|------|-----------|---------------------------|------|-----------|------------------------|------|-----------|-----------------------------------|
| 1. | 530047963 | Assy.-Isolator | 25. | 530056333 | Housing-Fan | 51. | 530071385 | Kit-Isolator (Upper) |
| 2. | 530047608 | Strap-Limiter | 26. | 530069232 | Kit-Rope | 52. | 530015875 | Screw |
| 3. | 530042082 | Spring-Isolator | 27. | 530056402 | Handle-Starter | 53. | 530047605 | Knob-Choke |
| 4. | 530015123 | Washer | 28. | 530027531 | Spring-Recoil | 54. | 530049005 | Grommet-Knob |
| 5. | 530016018 | Screw | 29. | 530037817 | Pulley-Starter | 55. | 530056596 | Assy-Chassis |
| 6. | 530015843 | Screw | 30. | 530015920 | Screw | 56. | 530071259 | Kit-Oil Pump (Incls. 57,58,60) |
| 7. | 530036142 | Sleeve-AV Spring | 31. | 530016134 | Nut-Flywheel | 57. | 530037820 | Gear-Worm Spring |
| 8. | 530047583 | Handle-Front | 32. | 530015127 | Washer-Flywheel | 58. | 530049477 | Elbow-Oil Pickup |
| 9. | 530015940 | Screw | 33. | 530039209 | Assy-Flywheel | 59. | 530016064 | Screw |
| 10. | 530015814 | Screw | 34. | 530016133 | Bolt-Bar | 60. | 530019206 | Seal Block |
| 11. | 530044900 | Bar - 14" | 35. | 530047192 | Assy-Fuel Cap | 61. | 530047663 | Assy-Oil Pickup (Incl. 62-64) |
| | 530044901 | Bar - 16" | 36. | 530015922 | Nut-"U"-Type | 62. | 530038373 | Pick-up Oiler |
| 12. | 505369852 | Chain 14" | 37. | 530023877 | Fitting-fuel line | 63. | 530037821 | Filter-Oil |
| | 505369856 | Chain 16" | 38. | 530069216 | Kit-Fuel line (large) | 64. | 530030189 | Plug-Oil Filter |
| 13. | 530014381 | Kit-Assy Spike (incl. 14) | 39. | 530047631 | Grommet-Cable | 65. | 530015907 | Washer-Thrust |
| 14. | 530015805 | Screw | 40. | 530047602 | Cable-Throttle | 66. | 530047061 | Assy-Clutch Drum w/bearing |
| 15. | 530038238 | Plate-Bar Mounting | 41. | 530047581 | Cover-Rear Handle | 67. | 530015611 | Washer-Clutch |
| 16. | 530015814 | Screw | 42. | 530015906 | Screw | 68. | 530014949 | Assy. Clutch |
| 17. | 530029850 | Chain Catcher | 43. | 530015886 | Screw | 69. | 530056923 | Assy-Chain Brake |
| 18. | 530016132 | Screw | 44. | 530036098 | Lockout-Throttle | 70. | 530056935 | Assy-Knob |
| 19. | 530026119 | Check Valve | 45. | 530036097 | Trigger-Throttle | | | |
| 20. | 530038264 | Plug-Bronze Vent | 46. | 530042082 | Spring | | | |
| 21. | 530010846 | Assy-Oil Cap | 47. | 530069572 | Kit-Switch | | | |
| 22. | 530023817 | Spring-Starter Dog | 48. | 530047582 | Handle - Rear | | | |
| 23. | 530016080 | Screw | 49. | 530015814 | Screw | | | |
| 24. | 530015892 | Screw | 50. | 530053274 | Assy. Isolator - lower | | | |

➤ = NEW PART NUMBER FOR THIS IPL

★ = REFER TO THE SERVICE REFERENCE INDICATED FOR MORE INFORMATION. (LOCATED AT END OF IPL)

⚠ WARNING
All repairs, adjustments and maintenance not described in the Operator's Manual must be performed by qualified service personnel.

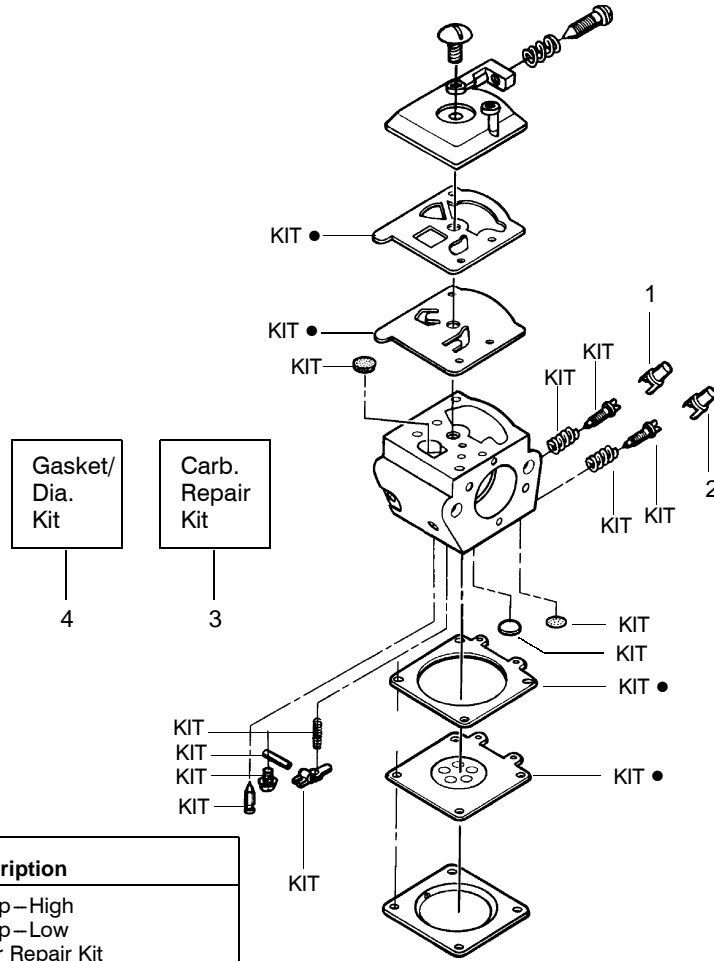


| Ref. | Part No. | Description | Ref. | Part No. | Description | Ref. | Part No. | Description |
|------|-----------|--|------|-------------|-------------------------------|------|-----------|---------------------------------------|
| 1. | 530016153 | Screw | 19. | 530036103 | Screen-Spark | 36. | 530047604 | Housing-Air Filter |
| 2. | 530055709 | Shield-Cylinder | 20. | 530037813 | Diffuser-Muffler | 37. | 530016101 | Nut |
| 3. | 530047213 | Assy-Air Purge | 21. | 530069608 | Gasket-Muffler (kit) | 38. | 530037793 | Air Filter - Foam |
| 4. | 530015780 | Screw | 22. | 530047207 | Assy-Muffler (Incl. 17-21) | 39. | 530031135 | Wrench-Bar |
| 5. | 530095646 | Assy-Fuel Pick-up | 23. | 530047062 | Assy-Crankshaft | 40. | 530069608 | Kit-Engine Gasket (incl. 34,30,21) |
| 6. | 530069247 | Kit-Line Purge/Carb. (Small Dia) | 24. | 530037935 | Cap-Crankcase | | | |
| 7. | 530069216 | Kit-Line Purge/Tank (large line) | 25. | 530056363 | Assy-Seal & Bearing | | | |
| 8. | 530035526 | Grommet-Carb Adjust. | 26. | 530038729 | Ring-Piston | | | |
| 9. | 530054144 | Seal-Carb Adapter | 27. | 530015697 | Retainer - Piston Pin | | | |
| 10. | 952030150 | Spark Plug (RCJ-7Y) | 28. | 530071408 | Kit-Piston - (incl. 26-27) | | | |
| 11. | 530016136 | Clip-High Tension Lead | 29. | 530071412 | Kit-Cylinder | | | |
| 12. | 530049117 | Assy-Wire Harness (includes switch) | 30. | 530069608 | Gasket-Carb. Adapter (kit) | | | |
| 13. | 530015814 | Screw | 31. | 530016187 | Screw | | | |
| 14. | 530039167 | Module-Ignition | 32. | 530049700 | Carb. Adapter | | | |
| 15. | 530047442 | Strap-Ground | 33. | 530016386 | Screw | ↗ | 530163657 | Manual - (Scan) |
| 16. | 530037652 | Insulator-Heat | 34. | 530069608 | Carb. Gasket (kit) | ↗ | 530163658 | Manual - (Euro I) |
| 17. | 530049870 | Back Plate-Muffler | 35. | --- | Kit-Carburetor | ↗ | 530163659 | Manual - (Euro II) |
| 18. | 530016132 | Screw | | 530069722 | (WT-391) | | 530054781 | Decal-Warning |
| | | | | ↗ 530071621 | (WT-625) | | | |

↗ = NEW PART NUMBER FOR THIS IPL

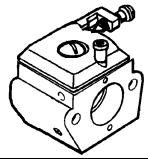
★ = REFER TO THE SERVICE REFERENCE INDICATED FOR MORE INFORMATION. (LOCATED AT END OF IPL)

Carburetor Assembly – WT-391 – #530069722



| Ref. | Part No. | Description |
|------|-----------|--|
| 1. | 530038479 | Limiter Cap–High |
| 2. | 530038478 | Limiter Cap–Low |
| 3. | 530069826 | Carburetor Repair Kit (KIT= Indicates Contents) & Includes Limiter Caps |
| 4. | 530069844 | Gasket/Diaphragm Kit (● = Indicates Contents) |

Kit - Carburetor Assembly No. 530071621 - WT-625



Note: No Repair kits are available for this carburetor, please order the complete assembly part number 530-071621 - WT-625